

BA18

Features:

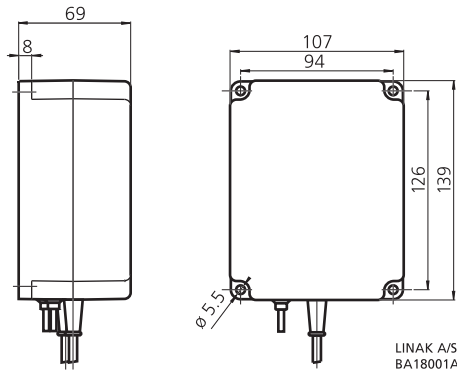
- *Compatible with CB9, CB18-AT version, CB12 BT version and CB14 BT version*
- *Straight cable with DC plug 5.5 x 2.5 (Max. length = 1.3 m)*
- *Standard protection class IP 51*
- *Ambient temperature: +5°C to +40°C*
- *The BA18 is exchangeable without opening the CB (BA18 is a separate box)*
- *Rated Capacity is 1.2 Ah 24 V*
- *Charging current is max. 0.3 A*

Options:

- *IP 66, IP 65 or IP 51*
- *Colour: black or grey*



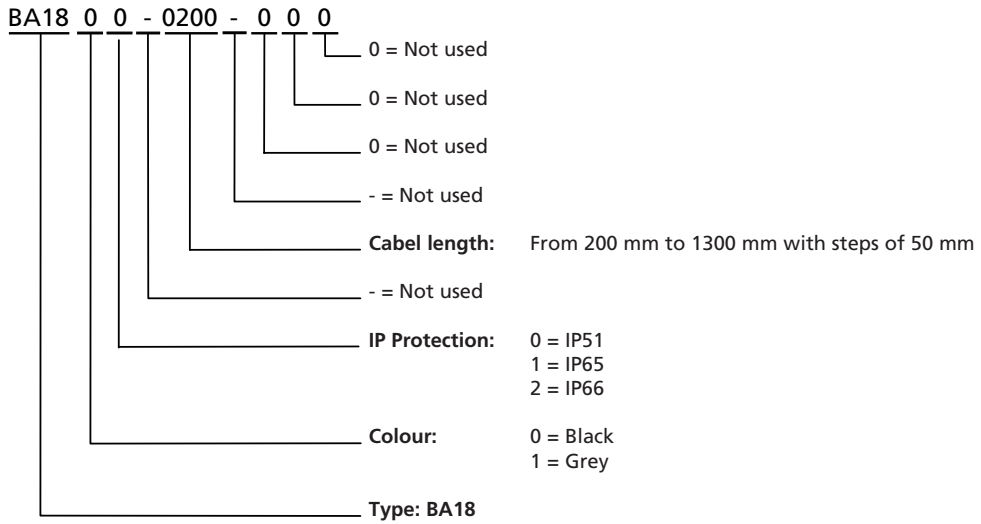
Dimensions:



Weight: 1.25 KG

BA18

Ordering example:



Battery box BA18 can not be combined with an external charger (e.g. CH08)

Specifications subject to change without prior notice.
 It is the responsibility of the product user to determine the suitability of LINAK A/S products for a specific application. LINAK will at point of delivery replace/repair defective products covered by the warranty if promptly returned to the factory. No liability is assumed beyond such replacement/repair.