

Pressure Sensor

Series **PSE530**



Features

- ➔ Remote sensor for air or inert gas
- ➔ 1-5 volt analogue output
- ➔ 4 different models to suit pressure or vacuum
- ➔ Stainless steel case
- ➔ Removable cable for easy installation
- ➔ M5 connection port
- ➔ Compact design



How to Order **PSE53** **0** — **M5** — **L**

	Pressure sensing range
0	Normal pressure [0 to 1 MPa]
1	Vacuum [0 to -101 kPa]
2	Low pressure [0 to 101 kPa]
3	Compound pressure [-101 to 101 kPa]

	Port size
M5	M5

Option

L	Sensor cable (3 m) Without connector
C2L	Sensor cable (3 m) + Connector (1 pc.)

Note) At the factory, the connector is not connected to the cable, but packed together with it for shipment.

Specifications

Model	PSE530-M5	PSE531-M5	PSE532-M5	PSE533-M5
Rated pressure range	0 to 1 MPa	0 to -101 kPa	0 to 101 kPa	-101 to 101 kPa
Proof pressure	1.5 MPa	500kPa		
Fluid	Air/Non-corrosive gas			
Power supply voltage	12 to 24 VDC (Ripple $\pm 10\%$ or less)			
Current consumption	15 mA or less			
Output specification	Analog output [1 to 5 V, Output impedance: Approx. 1 k]			
Accuracy	$\pm 2\%$ F.S. or less (Within rated pressure range, Ambient temperature $25 \pm 3^\circ\text{C}$)			
Linearity	$\pm 1\%$ F.S. or less			
Repeatability	$\pm 1\%$ F.S. or less			
Power supply voltage effect	$\pm 1\%$ F.S. or less based on the analog output at 18 V ranging from 12 to 24 VDC			
Resistance	Enclosure	IP40		
	Temperature range	0 to 50°C ; Stored: -10 to 70°C (No freezing or condensation)		
Temperature characteristics (Based on 25°C)	$\pm 2\%$ F.S. or less based on the analog output value at 25°C from a range of 0 to 50°C			
Port size	M5			
Material	Body: Stainless steel Grade 303, Internal enclosure: PPE; Pressure sensor: Silicon; O-ring: NBR			
Sensor cable/Option	Halogen-free heavy-duty cord, $\phi 2.7$, 0.15 mm^2 , 3 cores, 3 m			

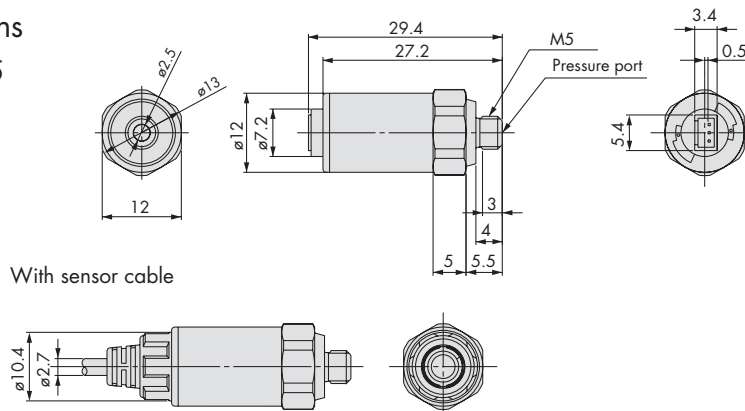
Accessories

When only optional parts are required, order using the part numbers listed below.

Description	Part no.	Note
Connector	ZS-28-C	
Sensor cable	ZS-26-F	Cable length: 3 m
Connector + Sensor cable	ZS-26-J	Cable length: 3 m The connector is not connected to the cable at the time of shipment.

Dimensions

PSE53□-M5



With sensor cable



CAD CD-ROM AVAILABLE



CATALOGUE **ES100-56A** AVAILABLE



PDF AVAILABLE ONLINE